

SRH 标准过孔型滑环

SRH Standard Through-Bore Slip Ring



特点 Features

- 完全满足360度无限制旋转的动力、控制及数字信号混合传输
Continuous transmission of power and/or signal under 360° unrestrained rotation
- 采用先进的纤维刷技术，免维护，无需润滑油
Applies advanced fiber brush technology, free of maintenance or lubricating oil
- 每路多点接触，低接触压力，低噪音和低接触磨损，超长的使用寿命
Multi contact points in each circuit, low contact pressure, low noise, low contact wear; extremely long life-time
- 标准化、模块化设计，产品规格齐全，并能为客户量身定制所需要的产品
Standardized & modularized design; customized solutions also available

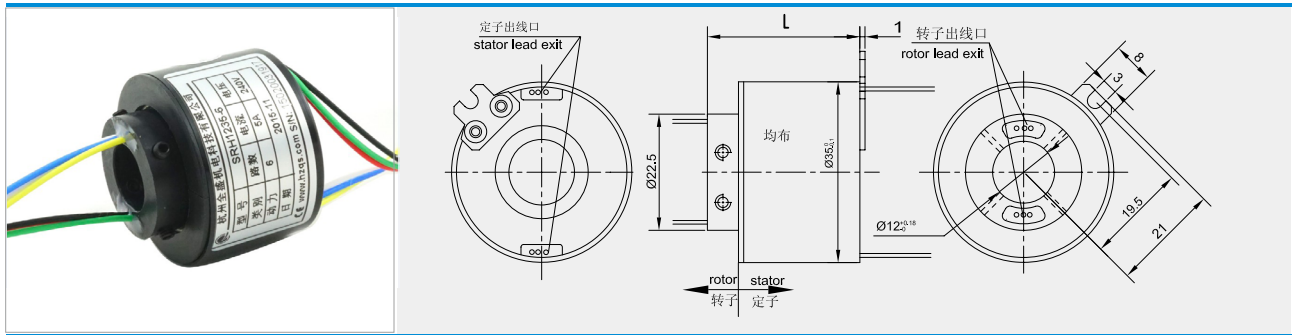
可选项 Options

- 额定电流、电压 Voltage/current
- 额定转速 Rated Speed
- 工作温度 Operating temperature
- 路数 Number of circuits
- 外壳材料及颜色 Housing material and color
- 外型尺寸 Outline dimension
- 专用导线 Special lead wire
- 导线出口方向 Lead exit location
- 导线长度 Lead length
- 防护等级 IP class
- 端子类型 Terminal type

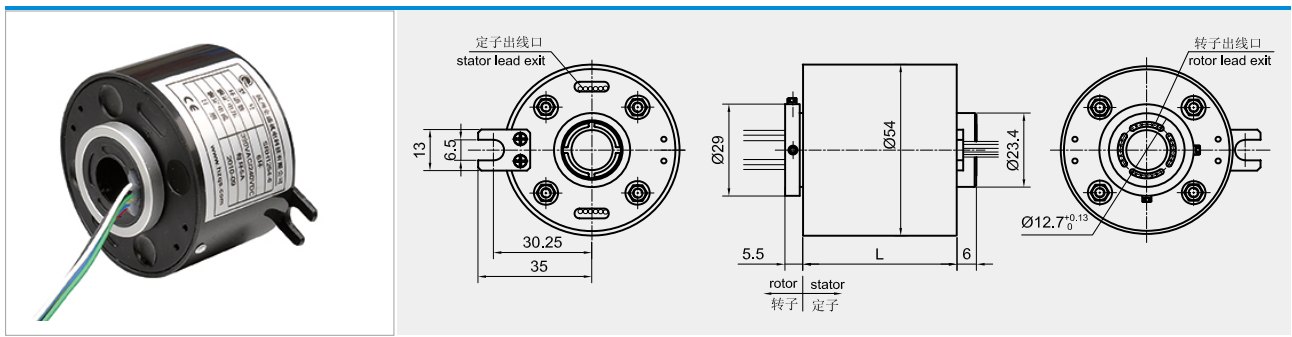
典型应用 Typical Application

- 工业机器 - 加工中心, 旋转工作台
Industrial machinery - machining center, rotary index table
- 重型设备塔台或电缆卷盘, 试验设备
Heavy equipment turrets, cable reels, test equipments
- 包装设备, 堆垛机, 磁性离合器, 工艺控制设备
Packaging machines, palletizing machines, magnetic clutch, process equipment
- 旋转传感器, 紧急照明设备, 机器人
Rotary sensors, emergency lighting, robotics
- 展览/显示设备、医疗设备
Exhibit/display equipment, medical equipment
- 酒店、宾馆旋转门控制系统
Control system of hotel revolving door

SRH1235 系列导电滑环 SRH1235 Series through-bore slip ring



SRH1254 系列导电滑环 SRH1254 Series through-bore slip ring



1、图中尺寸可能与实际尺寸有微小误差

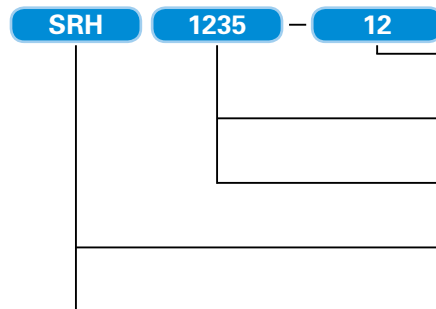
1、The dimensions may have small error with actual products

2、转子导线有4个成90° 的出口，定子导线有2个成180° 的出口

2、4 lead exits equally distributed in rotor side; 2 lead exits equally distributed in stator side

型号选用说明

Model explanation



12代表12路通道（每通道5A）

12: 12 circuits (5A/circuit)

35代表外径35mm

35: outside diameter 35mm

12代表过孔内径12mm

12: through bore diameter 12mm

SR代表导电滑环

SR: slip ring

H代表过孔系列

H: slip rings with a hole (through bore)

型号 Type	长度 (L=mm)	路数 Circuits
SRH1235-6	29.5	6
SRH1235-12	40	12

型号 Type	长度 (L=mm)	路数 Circuits
SRH1254-6	33.4	6
SRH1254-12	47.3	12
SRH1254-18	61.3	18
SRH1254-24	75.2	24

电气技术指标 Electrical data

参数 Specification	数值 Values
额定电压 Rated Voltage	240VAC/VDC
额定电流 Rated Current	标准每路为5A 5A/ring
导线规格 Lead Size	AWG22镀银铁氟龙绝缘 AWG22 silver plated, PTFE insulated
导线长度 Lead Length	标准500mm Standard 500mm
绝缘电阻 Insulation Resistance	$\geq 500M\Omega / 500VDC$
绝缘强度 Dielectric Strength	500VAC/50Hz, 60s
动态电阻变化值 Electrical Noise	$\leq 10m\Omega$

机械技术指标 Mechanical data

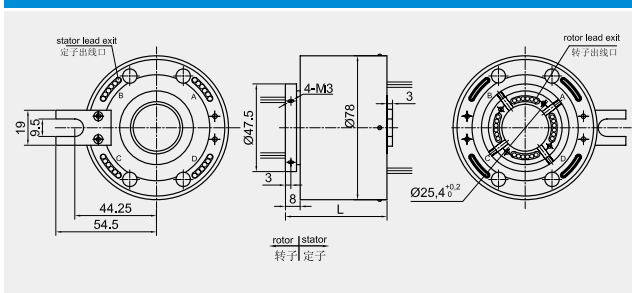
参数 Specification	数值 Values
额定转速 Rated Speed	0 ~ 400 rpm
工作温度 Working temperature	-20°C ~ +80°C
工作湿度 Humidity	60%RH或更高 60%RH or higher
接触材料 Contact Material	贵金属 Precious metal
壳体材料 Housing Material	工程塑料 Engineering plastic
力 矩 Torque	6路产品为0.1N·M,每增加6路加0.03N·M 0.1N·M for -6 version, 0.03N·M increased for every 6rings added
防护等级 Protection level	IP51

标准滑环导线色码表 Lead color code

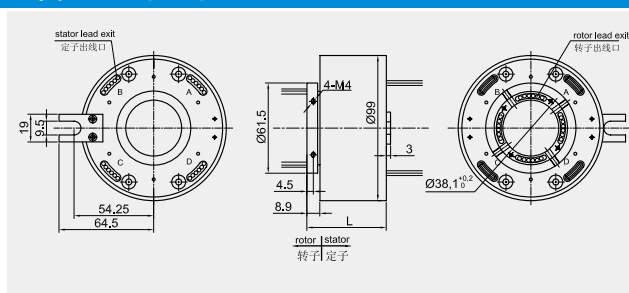
色码	红RED	黄YEL	黑BLK	蓝BLU	绿GRN	白WHT	紫PUP	灰GRY	棕BRN	橙ORN	深蓝DBLU	土黄KHK
6路	1	2	3	4	5	6	-	-	-	-	-	-
12路	1	2	3	4	5	6	7	8	9	10	11	12
18路	1 13	2 14	3 15	4 16	5 17	6 18	7	8	9	10	11	12
24路	1 13	2 14	3 15	4 16	5 17	6 18	7 19	8 20	9 21	10 22	11 23	12 24

过孔导电滑环系列 (SRH2578、3899、50120、60135、70155、80180、90190、100203) Through-bore slip ring Series

外形尺寸 OUTLINE DIMENSION 单位UNIT (mm)

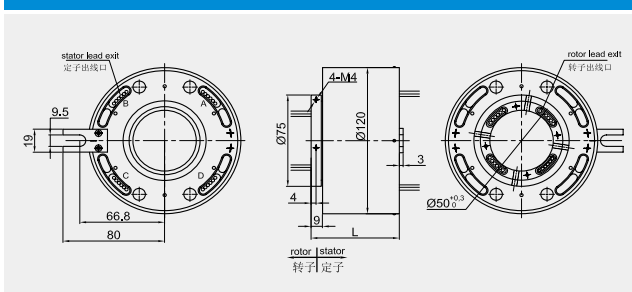


SRH2578

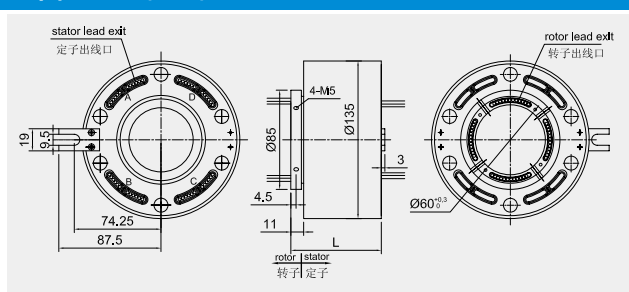


SRH3899

外形尺寸 OUTLINE DIMENSION 单位UNIT (mm)

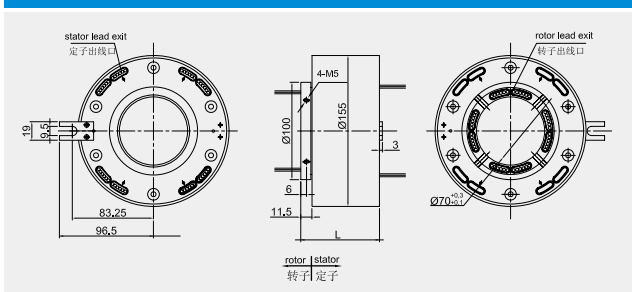


SRH50120

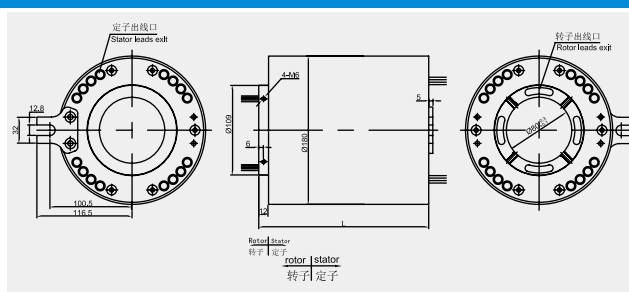


SRH60135

外形尺寸 OUTLINE DIMENSION 单位UNIT (mm)

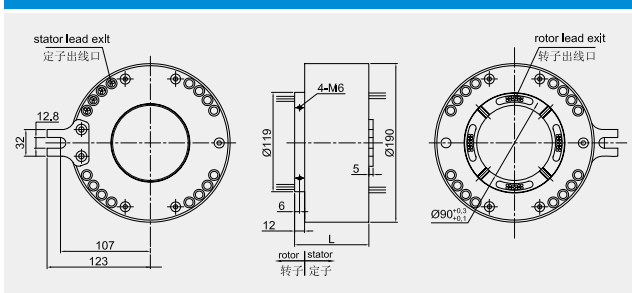


SRH70155

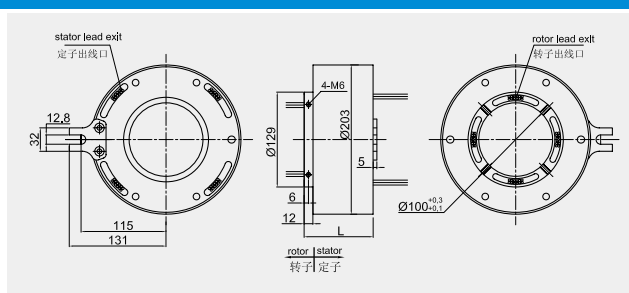


SRH80180

外形尺寸 OUTLINE DIMENSION 单位UNIT (mm)



SRH90190



SRH100203

- 1、图中尺寸可能与实际尺寸有微小误差
The dimensions may have small error with actual products
- 2、转子导线有4个成90°的出口
4 lead exits equally distributed in rotor side

SRH2578 Series

型号 Type	长度 (L=mm)	额定电流 Rated Current		总路数 Total No.of Circuits
		功率P(10A、15A)	信号S(2A)	
SRH2578-6P	55	6	—	6
SRH2578-12S	55	—	12	12
SRH2578-12P	79	12	—	12
SRH2578-6P/12S	79	6	12	18
SRH2578-24S	79	—	24	24
SRH2578-18P	103	18	—	18
SRH2578-12P/12S	103	12	12	24
SRH2578-6P/24S	103	6	24	30
SRH2578-36S	103	—	36	36
SRH2578-24P	127	24	—	24
SRH2578-18P/12S	127	18	12	30
SRH2578-12P/24S	127	12	24	36
SRH2578-6P/36S	127	6	36	42
SRH2578-48S	127	—	48	48

可按客户需求定制到96通路
Max 96 circuits available on request

SRH3899 Series

型号 Type	长度 (L=mm)	额定电流 Rated Current		总路数 Total No.of Circuits
		功率P(10A、15A)	信号S(2A)	
SRH3899-6P	54.1	6	—	6
SRH3899-12S	54.1	—	12	12
SRH3899-12P	78.1	12	—	12
SRH3899-6P/12S	78.1	6	12	18
SRH3899-24S	78.1	—	24	24
SRH3899-18P	102.1	18	—	18
SRH3899-12P/12S	102.1	12	12	24
SRH3899-6P/24S	102.1	6	24	30
SRH3899-36S	102.1	—	36	36
SRH3899-24P	126.1	24	—	24
SRH3899-18P/12S	126.1	18	12	30
SRH3899-12P/24S	126.1	12	24	36
SRH3899-6P/36S	126.1	6	36	42
SRH3899-48S	126.1	—	48	48

可按客户需求定制到96通路
Max 96 circuits available on request

SRH50120 Series

型号 Type	长度 (L=mm)	额定电流 Rated Current		总路数 Total No. of Circuits
		功率P(10A、15A或20A)	信号S(5A)	
SRH50120-6P	69.5	6	—	6
SRH50120-12S	69.5	—	12	12
SRH50120-12P	99.5	12	—	12
SRH50120-6P/12S	99.5	6	12	18
SRH50120-24S	99.5	—	24	24
SRH50120-18P	129.5	18	—	18
SRH50120-12P/12S	129.5	12	12	24
SRH50120-6P/24S	129.5	6	24	30
SRH50120-36S	129.5	—	36	36
SRH50120-24P	159.5	24	—	24
SRH50120-18P/12S	159.5	18	12	30
SRH50120-12P/24S	159.5	12	24	36
SRH50120-6P/36S	159.5	6	36	42
SRH50120-48S	159.5	—	48	48
SRH50120-30P	189.5	30	—	30
SRH50120-24P/12S	189.5	24	12	36
SRH50120-18P/24S	189.5	18	24	42
SRH50120-12P/36S	189.5	12	36	48
SRH50120-6P/48S	189.5	6	48	54
SRH50120-60S	189.5	—	60	60
SRH50120-36P	219.5	36	—	36
SRH50120-30P/12S	219.5	30	12	42
SRH50120-24P/24S	219.5	24	24	48
SRH50120-18P/36S	219.5	18	36	54
SRH50120-12P/48S	219.5	12	48	60
SRH50120-6P/60S	219.5	6	60	66
SRH50120-72S	219.5	—	72	72

可按客户需求定制到156通路

Max 156 circuits available on request

SRH60135 Series

型号 Type	长度 (L=mm)	额定电流 Rated Current		总路数 Total No.of Circuits
		功率P(10A、15A或20A)	信号S(5A)	
SRH60135-6P	77.5	6	—	6
SRH60135-12S	77.5	—	12	12
SRH60135-12P	107.5	12	—	12
SRH60135-6P/12S	107.5	6	12	18
SRH60135-24S	107.5	—	24	24
SRH60135-18P	137.5	18	—	18
SRH60135-12P/12S	137.5	12	12	24
SRH60135-6P/24S	137.5	6	24	30
SRH60135-36S	137.5	—	36	36
SRH60135-24P	167.5	24	—	24
SRH60135-18P/12S	167.5	18	12	30
SRH60135-12P/24S	167.5	12	24	36
SRH60135-6P/36S	167.5	6	36	42
SRH60135-48S	167.5	—	48	48
SRH60135-30P	197.5	30	—	30
SRH60135-24P/12S	197.5	24	12	36
SRH60135-18P/24S	197.5	18	24	42
SRH60135-12P/36S	197.5	12	36	48
SRH60135-6P/48S	197.5	6	48	54
SRH60135-60S	197.5	—	60	60
SRH60135-36P	227.5	36	—	36
SRH60135-30P/12S	227.5	30	12	42
SRH60135-24P/24S	227.5	24	24	48
SRH60135-18P/36S	227.5	18	36	54
SRH60135-12P/48S	227.5	12	48	60
SRH60135-6P/60S	227.5	6	60	66
SRH60135-72S	227.5	—	72	72
SRH60135-42P	257.5	42	—	42
SRH60135-36P/12S	257.5	36	12	48
SRH60135-30P/24S	257.5	30	24	54
SRH60135-24P/36S	257.5	24	36	60
SRH60135-18P/48S	257.5	18	48	66
SRH60135-12P/60S	257.5	12	60	72
SRH60135-6P/72S	257.5	6	72	78
SRH60135-84S	257.5	—	84	84
SRH60135-48P	287.5	48	—	48
SRH60135-42P/12S	287.5	42	12	54
SRH60135-36P/24S	287.5	36	24	60
SRH60135-30P/36S	287.5	30	36	66
SRH60135-24P/48S	287.5	24	48	72
SRH60135-18P/60S	287.5	18	60	78
SRH60135-12P/72S	287.5	12	72	84
SRH60135-6P/84S	287.5	6	84	90
SRH60135-96S	287.5	—	96	96

可按客户需求定制到216通路

Max 216 circuits available on request

SRH70155 Series

型号 Type	长度 (L=mm)	额定电流 Rated Current		总路数 Total No.of Circuits
		功率P(10A、15A或20A)	信号S(5A)	
SRH70155-6P	80.8	6	—	6
SRH70155-12S	80.8	—	12	12
SRH70155-12P	110.8	12	—	12
SRH70155-6P/12S	110.8	6	12	18
SRH70155-24S	110.8	—	24	24
SRH70155-18P	140.8	18	—	18
SRH70155-12P/12S	140.8	12	12	24
SRH70155-6P/24S	140.8	6	24	30
SRH70155-36S	140.8	—	36	36
SRH70155-24P	170.8	24	—	24
SRH70155-18P/12S	170.8	18	12	30
SRH70155-12P/24S	170.8	12	24	36
SRH70155-6P/36S	170.8	6	36	42
SRH70155-48S	170.8	—	48	48
SRH70155-30P	200.8	30	—	30
SRH70155-24P/12S	200.8	24	12	36
SRH70155-18P/24S	200.8	18	24	42
SRH70155-12P/36S	200.8	12	36	48
SRH70155-6P/48S	200.8	6	48	54
SRH70155-60S	200.8	—	60	60
SRH70155-36P	230.8	36	—	36
SRH70155-30P/12S	230.8	30	12	42
SRH70155-24P/24S	230.8	24	24	48
SRH70155-18P/36S	230.8	18	36	54
SRH70155-12P/48S	230.8	12	48	60
SRH70155-6P/60S	230.8	6	60	66
SRH70155-72S	230.8	—	72	72
SRH70155-42P	260.8	42	—	42
SRH70155-36P/12S	260.8	36	12	48
SRH70155-30P/24S	260.8	30	24	54
SRH70155-24P/36S	260.8	24	36	60
SRH70155-18P/48S	260.8	18	48	66
SRH70155-12P/60S	260.8	12	60	72
SRH70155-6P/72S	260.8	6	72	78
SRH70155-84S	260.8	—	84	84
SRH70155-48P	290.8	48	—	48
SRH70155-42P/12S	290.8	42	12	54
SRH70155-36P/24S	290.8	36	24	60
SRH70155-30P/36S	290.8	30	36	66
SRH70155-24P/48S	290.8	24	48	72
SRH70155-18P/60S	290.8	18	60	78
SRH70155-12P/72S	290.8	12	72	84
SRH70155-6P/84S	290.8	6	84	90
SRH70155-96S	290.8	—	96	96

可按客户需求定制到216通路
Max 216 circuits available on request

SRH80180 Series

型号 Type	长度 (L=mm)	额定电流 Rated Current		总路数 Total No. of Circuits
		功率P(10A、15A或20A)	信号S(5A)	
SRH80180-6P	88.5	6	—	6
SRH80180-12S	88.5	—	12	12
SRH80180-12P	118.5	12	—	12
SRH80180-6P/12S	118.5	6	12	18
SRH80180-24S	118.5	—	24	24
SRH80180-18P	148.5	18	—	18
SRH80180-12P/12S	148.5	12	12	24
SRH80180-6P/24S	148.5	6	24	30
SRH80180-36S	148.5	—	36	36
SRH80180-24P	178.5	24	—	24
SRH80180-18P/12S	178.5	18	12	30
SRH80180-12P/24S	178.5	12	24	36
SRH80180-6P/36S	178.5	6	36	42
SRH80180-48S	178.5	—	48	48
SRH80180-30P	208.5	30	—	30
SRH80180-24P/12S	208.5	24	12	36
SRH80180-18P/24S	208.5	18	24	42
SRH80180-12P/36S	208.5	12	36	48
SRH80180-6P/48S	208.5	6	48	54
SRH80180-60S	208.5	—	60	60
SRH80180-36P	238.5	36	—	36
SRH80180-30P/12S	238.5	30	12	42
SRH80180-24P/24S	238.5	24	24	48
SRH80180-18P/36S	238.5	18	36	54
SRH80180-12P/48S	238.5	12	48	60
SRH80180-6P/60S	238.5	6	60	66
SRH80180-72S	238.5	—	72	72
SRH80180-42P	268.5	42	—	42
SRH80180-36P/12S	268.5	36	12	48
SRH80180-30P/24S	268.5	30	24	54
SRH80180-24P/36S	268.5	24	36	60
SRH80180-18P/48S	268.5	18	48	66
SRH80180-12P/60S	268.5	12	60	72
SRH80180-6P/72S	268.5	6	72	78
SRH80180-84S	268.5	—	84	84
SRH80180-48P	298.5	48	—	48
SRH80180-42P/12S	298.5	42	12	54
SRH80180-36P/24S	298.5	36	24	60
SRH80180-30P/36S	298.5	30	36	66
SRH80180-24P/48S	298.5	24	48	72
SRH80180-18P/60S	298.5	18	60	78
SRH80180-12P/72S	298.5	12	72	84
SRH80180-6P/84S	298.5	6	84	90
SRH80180-96S	298.5	—	96	96

可按客户需求定制到216通路

Max 216 circuits available on request

SRH90190 Series

型号 Type	长度 (L=mm)	额定电流 Rated Current		总路数 Total No.of Circuits
		功率P(10A、15A或20A)	信号S(5A)	
SRH90190-6P	88.5	6	—	6
SRH90190-12S	88.5	—	12	12
SRH90190-12P	118.5	12	—	12
SRH90190-6P/12S	118.5	6	12	18
SRH90190-24S	118.5	—	24	24
SRH90190-18P	148.5	18	—	18
SRH90190-12P/12S	148.5	12	12	24
SRH90190-6P/24S	148.5	6	24	30
SRH90190-36S	148.5	—	36	36
SRH90190-24P	178.5	24	—	24
SRH90190-18P/12S	178.5	18	12	30
SRH90190-12P/24S	178.5	12	24	36
SRH90190-6P/36S	178.5	6	36	42
SRH90190-48S	178.5	—	48	48
SRH90190-30P	208.5	30	—	30
SRH90190-24P/12S	208.5	24	12	36
SRH90190-18P/24S	208.5	18	24	42
SRH90190-12P/36S	208.5	12	36	48
SRH90190-6P/48S	208.5	6	48	54
SRH90190-60S	208.5	—	60	60
SRH90190-36P	238.5	36	—	36
SRH90190-30P/12S	238.5	30	12	42
SRH90190-24P/24S	238.5	24	24	48
SRH90190-18P/36S	238.5	18	36	54
SRH90190-12P/48S	238.5	12	48	60
SRH90190-6P/60S	238.5	6	60	66
SRH90190-72S	238.5	—	72	72
SRH90190-42P	268.5	42	—	42
SRH90190-36P/12S	268.5	36	12	48
SRH90190-30P/24S	268.5	30	24	54
SRH90190-24P/36S	268.5	24	36	60
SRH90190-18P/48S	268.5	18	48	66
SRH90190-12P/60S	268.5	12	60	72
SRH90190-6P/72S	268.5	6	72	78
SRH90190-84S	268.5	—	84	84
SRH90190-48P	298.5	48	—	48
SRH90190-42P/12S	298.5	42	12	54
SRH90190-36P/24S	298.5	36	24	60
SRH90190-30P/36S	298.5	30	36	66
SRH90190-24P/48S	298.5	24	48	72
SRH90190-18P/60S	298.5	18	60	78
SRH90190-12P/72S	298.5	12	72	84
SRH90190-6P/84S	298.5	6	84	90
SRH90190-96S	298.5	—	96	96

可按客户需求定制到216通路

Max 216 circuits available on request

SRH100203 Series

型号 Type	长度 (L=mm)	额定电流 Rated Current		总路数 Total No.of Circuits
		功率P(10A、15A或20A)	信号S(5A)	
SRH100203-6P	93.5	6	—	6
SRH100203-10S	93.5	—	10	10
SRH100203-12P	125	12	—	12
SRH100203-6P/10S	125	6	10	16
SRH100203-20S	125	—	20	20
SRH100203-18P	156.5	18	—	18
SRH100203-12P/10S	156.5	12	10	22
SRH100203-6P/20S	156.5	6	20	26
SRH100203-30S	156.5	—	30	30
SRH100203-24P	188	24	—	24
SRH100203-18P/10S	188	18	10	28
SRH100203-12P/20S	188	12	20	32
SRH100203-6P/30S	188	6	30	36
SRH100203-40S	188	—	40	40
SRH100203-30P	219.5	30	—	30
SRH100203-24P/10S	219.5	24	10	34
SRH100203-18P/20S	219.5	18	20	38
SRH100203-12P/30S	219.5	12	30	42
SRH100203-6P/40S	219.5	6	40	46
SRH100203-50S	219.5	—	50	50
SRH100203-36P	251	36	—	36
SRH100203-30P/10S	251	30	10	40
SRH100203-24P/20S	251	24	20	44
SRH100203-18P/30S	251	18	30	48
SRH100203-12P/40S	251	12	40	52
SRH100203-6P/50S	251	6	50	56
SRH100203-60S	251	—	60	60
SRH100203-42P	282.5	42	—	42
SRH100203-36P/10S	282.5	36	10	46
SRH100203-30P/20S	282.5	30	20	50
SRH100203-24P/30S	282.5	24	30	54
SRH100203-18P/40S	282.5	18	40	58
SRH100203-12P/50S	282.5	12	50	62
SRH100203-6P/60S	282.5	6	60	66
SRH100203-70S	282.5	—	70	70
SRH100203-48P	314	48	—	48
SRH100203-42P/10S	314	42	10	52
SRH100203-36P/20S	314	36	20	56
SRH100203-30P/30S	314	30	30	60
SRH100203-24P/40S	314	24	40	64
SRH100203-18P/50S	314	18	50	68
SRH100203-12P/60S	314	12	60	72
SRH100203-6P/70S	314	6	70	76
SRH100203-80S	314	—	80	80

可按客户需求定制到216通路

Max 216 circuits available on request

电气技术指标 Electrical data

参数 Specification	数值 Values	
	功率 Power	信号 Signal
额定电压 Rated Voltage	380VAC	240VAC/VDC
绝缘电阻 Insulation Resistance	≥ 1000MΩ/500VDC	≥ 500MΩ/500VDC
导线规格 Lead Size	PVC或PE绝缘 Insulated PVC or PE	AWG22镀银铁氟龙绝缘 AWG22 silver plated, PTFE insulated
导线长度 Lead Length	标准500mm Standard: 500mm	
绝缘强度 Dielectric Strength	500VAC@50Hz,60s	
动态电阻变化值 Electrical Noise	≤ 10mΩ	

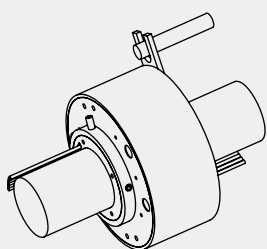
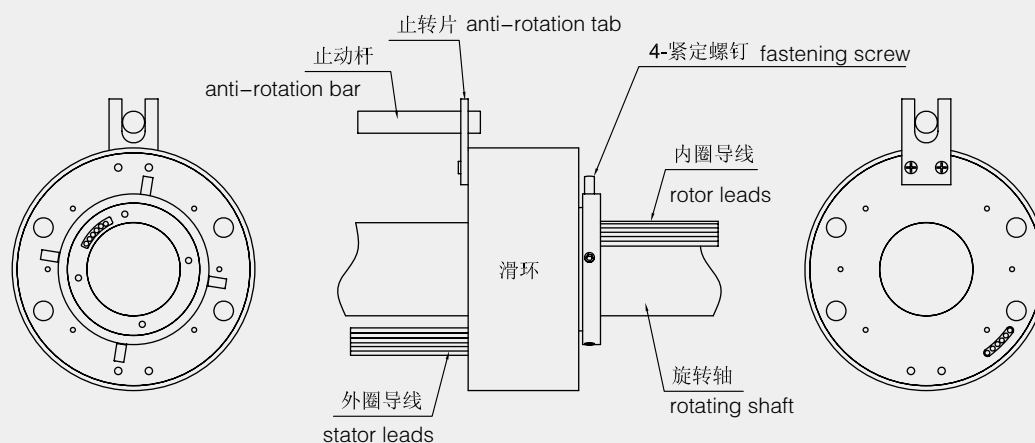
机械技术指标 Mechanical data

参数 Specification	数值 Values
额定转速 Rated Speed	250 / 500 rpm
工作温度 Working temperature	-20°C ~ +80°C
工作湿度 Operating Humidity	60%RH 或更高 60%RH or higher
接触材料 Contact Material	贵金属 Precious metals
壳体材料 Housing Material	工程塑料或铝合金 Engineering Plastics or Aluminum
力 矩 Torque	6路为0.1N·m,每增加6路加0.03N·m 0.1N·M for -6 version, 0.03N·M increased for every 6rings added
防护等级 Protection level	标准IP51, 可选IP54,IP65 Standard:IP51, Optional:IP54,IP65

标准滑环导线色码表 Lead color code

色码	红RED	黄YEL	黑BLK	蓝BLU	绿GRN	白WHT	紫PUP	灰GRY	棕BRN	橙ORN	深蓝/ 白红 DBLU/ WHT- RED	土黄/ 黄绿 KHK/ YEL- GRN
6路	1	2	3	4	5	6	-	-	-	-	-	-
12路	1	2	3	4	5	6	7	8	9	10	11	12
18路	1 13	2 14	3 15	4 16	5 17	6 18	7	8	9	10	11	12
24路	1 13	2 14	3 15	4 16	5 17	6 18	7 19	8 20	9 21	10 22	11 23	12 24
30路	1 13 25	2 14 26	3 15 27	4 16 28	5 17 29	6 18 30	7 19	8 20	9 21	10 22	11 23	12 24
36路	1 13 25	2 14 26	3 15 27	4 16 28	5 17 29	6 18 30	7 19 31	8 20 32	9 21 33	10 22 34	11 23 35	12 24 36
42路	1 13 25 37	2 14 26 38	3 15 27 39	4 16 28 40	5 17 29 41	6 18 30 42	7 19 31	8 20 32	9 21 33	10 22 34	11 23 35	12 24 36
48路	1 13 25 37	2 14 26 38	3 15 27 39	4 16 28 40	5 17 29 41	6 18 30 42	7 19 31 43	8 20 32 44	9 21 33 45	10 22 34 46	11 23 35 47	12 24 36 48

安装方式 way of installation



安装说明 Installation explanation

- 因为滑环转子和定子在安装时很难保证同心，建议用四个紧定螺钉将滑环固定在旋转轴上，止动杆插入止动片即可，千万不能强行固定止动片，否则可能会导致滑环损坏或达不到预期使用寿命。

注意事项 Attentions:

- 滑环环体不得作承重用，环体导线也不得承受外部控力
The slip ring should not be used for load bearing; the cables should not be stressed nor tensed
- 在滑环安装时，务必要保护好导线，避免因导体绝缘层损坏而影响产品品质
When installing the slip rings, the cables should be well protected
- 滑环系精密电气元件，应使其在一个干燥，少尘的环境下工作。如果环境条件恶劣，应增加防护措施
The slip ring should be used in dry, low dust environment. If working environment is bad, more protection measures should be taken

型号选用说明 Model explanation

